



## Ultracure<sup>®</sup> 9 Data Sheet

### ULTRACURE<sup>®</sup> 9

LED UV Curing System



#### General

The Ultracure<sup>®</sup> 9 features the addition of a lens to Hernon's 5-LED UV curing device. The lens provides improvement in curing intensity.

#### Features/Specifications

- Ultra Violet Energy (U.V.E.) Cure
- Lens increases UV intensity
- Self cooled
- 365nm High Output LED
- Built in power regulation and overheating protection
- Compact design
- Fan air cooled

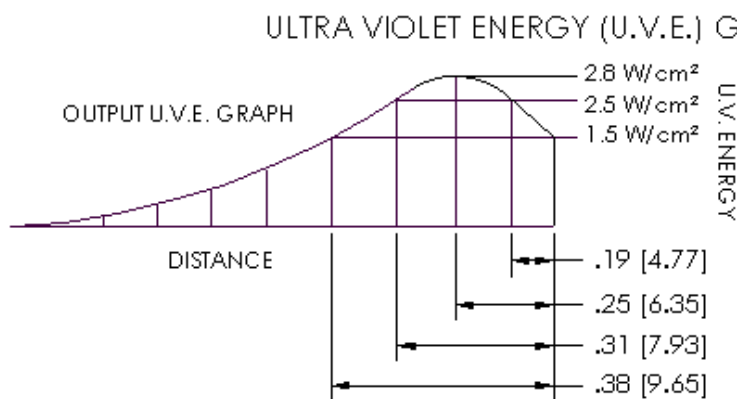
#### Status Indicator

Two status indicator LED is fitting on the top of the module.

- Green lamp power on and working properly
- Red lamp indicates Fault Conditions

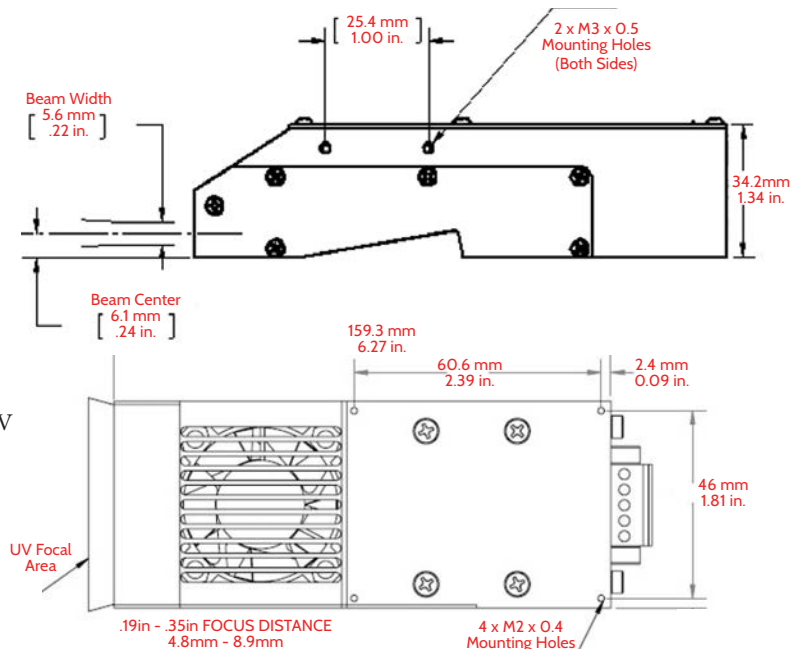
#### UV Curve / UV Output Curve

The Ultracure<sup>®</sup> 9 has an optimal distance for proper curing properties; the diagram below shows the UV Intensity vs Distance Curve.

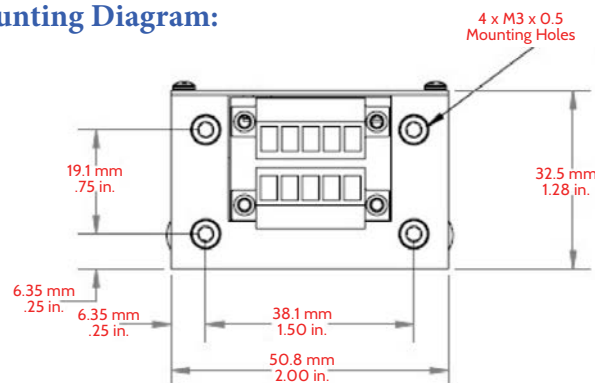


#### Mounting

The Ultracure<sup>®</sup> 9 has two mounting options. 4 x M3 x 0.5 on electrical connector end, and 4 x M2 x 0.4 on the bottom of the device.



#### Back Mounting Diagram:



#### REF. ONLY - U.V. ENERGY

DISTANCE	ENERGY W/cm²
0in [0mm]	1.5
.19in [4.77mm]	2.5
<b>.25in [6.35mm]</b>	<b>2.8</b>
.31in [7.93mm]	2.5
.38in [9.65mm]	1.5

All Dimensions Are In: inch [mm]