



Ultracure[®] 6 Data Sheet

ULTRACURE[®] 6

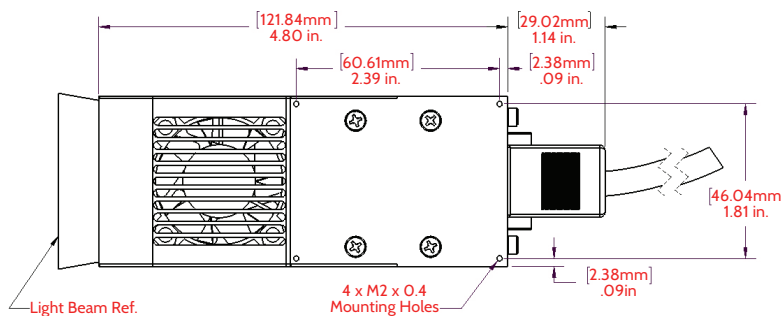
LED UV Curing System



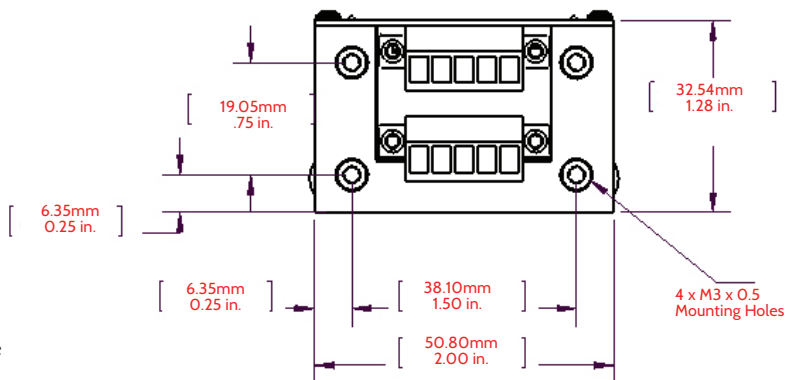
Mounting

The Ultracure[®] 6 has two mounting options. 4 x M3 x 0.5 on electrical connector end, and 4 x M2 x 0.4 on the bottom of the device.

Bottom Mounting Diagram



Back Mounting Diagram



Features/Specifications

- Ultra Violet Energy (U.V.E.) Cure
- 365nm High Output LED
- 24 vdc input power state @ 700 mA
- 2.5W/cm² maximum output @ 365nm
- Weight: .55 lbs
- Built in power regulation and over temperature protection

Thermal

- Fan air cooled

Status Indicator

Two status indicator LED is fitting on the top of the module.

- Green lamp power on and working properly
- Red lamp indicates Fault Conditions

UV Curve / UV Output Curve

The Ultracure[®] 6 has an optimal distance for proper curing properties; the diagram below shows the UV Intensity vs Distance Curve.

